

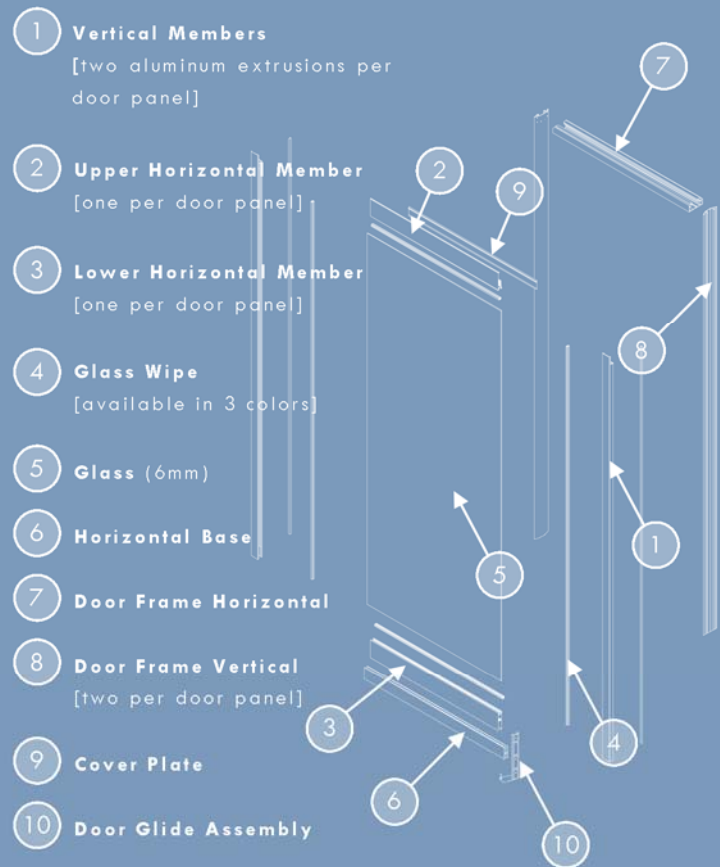
sliding barn door

DIRTT SLIDING BARN DOORS are aluminum framed with sleek European styling in a multitude of finishes and configurations.

The DIRTT Sliding Barn Door offers an effortless installation and seamless track integration into all DIRTT Wall Systems.

A sliding barn door allows for a smaller footprint and therefore more efficient use of real estate. It is one of the many ways DIRTT can offer clients a Sustainable solution for their workspace needs.

DIRTT's sliding Barn Doors are components of a complete Agile Architectural Solution for office environments.



component materials

Aluminum Extrusions

Door Extrusions

Aluminum Alloys

6063-T54

Aluminum Finish Options

Clear Anodized (5 micron standard)

Powder Coated

Veneer Wrapped

Custom as required

Track Extrusions

Aluminum Alloys

6061-T6

Aluminum Finish Options

Clear Anodized (5 micron standard)

Powder Coated

PVC Components

Connection Zippers

Rigid PVC

Ceiling Trim/Wall Start

Rigid/Flex Co-extrusion

Glass Wipe Extrusion

PVC Color Options

Black

Charcoal

Silver

Custom as required

Glass Components

Tempered Glass (6mm)

Laminated Glass (6mm)

3-Form Laminated Ecoresin

Locking Options

Top Locking Adams Rite™ Hardware

Bottom Locking CR Laurence™ Hardware

Options

Custom Pull Hardware Available

Top Locking Option

Bottom Locking Option

Parametric Sizes Available

dimensions/details (cont'd)

Frame

Standard Frame Depth 4"

Lower Door Glide Locates to adjacent module

Door Track

Standard Height 2"

Standard Depth 1"

Pneumatic Slow Down Mechanism, a piston assembly embedded inside the track can be adjusted to the desired resistance required.

End Cap, available in powder coat finishes.

Installation, unique hanger design requires no fasteners to located or lock in place.

Frame to Panel Connections

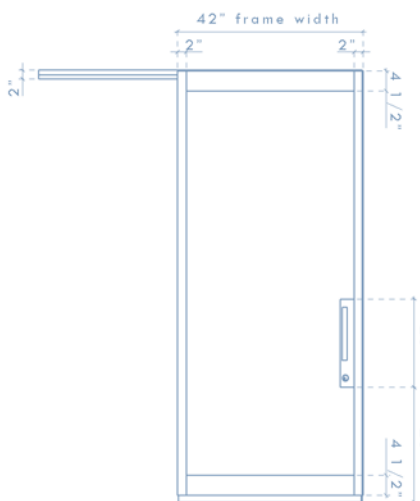
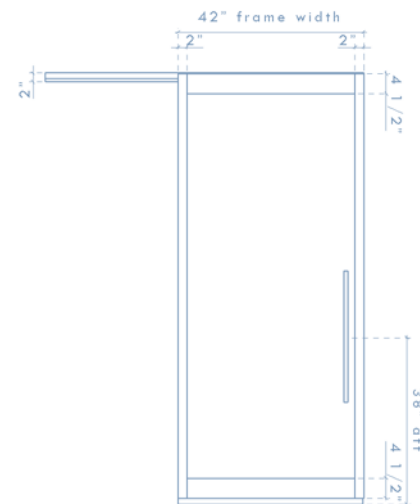
Visible Zipper For on-module cladding

Trim Components

Ceiling Trim Flexible trim from top of wall to ceiling

Wall Trim Flexible trim from end of wall to existing structure or perpendicular wall panel

Door Frame Dimensions



dimensions/details

Door

Standard Frame Depth 4"

Standard Frame Width 42" (Door is 42" wide)

Standard Ceiling Height Up to 10'0"

Door Height Adjustment 1 3/4" total travel

Door Opening 32" clear (ADA compliant)